

## OPERATION MANUAL



### HEAD TYPE GRM1

#VGRM1080929

**Producent / Producer / Производитель**

**Zakłady Metalowe ERKO R. Pełtak spółka jawna  
Bracia Pełtak**

**ul. Ks. Jana Hanowskiego 7, 11-042 JONKOWO k/OLSZTYNA**  
tel./fax (+48) 089 5129273 NIP: 739-020-46-93  
e-mail: [sprzedaz@erko.pl](mailto:sprzedaz@erko.pl), [export@erko.pl](mailto:export@erko.pl) [http\www.erko.pl](http://www.erko.pl).



Dziękujemy za zakup naszego urządzenia.  
Prosimy o uważne przeczytanie instrukcji użytkowania oraz zaleceń eksploatacyjnych.

Thank you for buying our product.  
Before using this equipment, please carefully read the user and the maintenance manuals.

Благодарим за покупку нашего оборудования.  
Просим внимательно прочитать инструкцию пользователя, а также рекомендации по эксплуатации

## TABLE OF CONTENTS

|    |  |   |
|----|--|---|
| 1. | APPLICATION .....                              | 2 |
| 2. | TECHNICAL DATA .....                           | 2 |
| 3. | INSTRUMENTATION .....                          | 2 |
| 4. | OPERATION.....                                 | 2 |
| 5. | SPARE PARTS.....                               | 3 |
| 6. | MAINTENANCE AND OPERATION RECOMMENDATIONS..... | 4 |
| 7. | SERVICING .....                                | 4 |
| 8. | DISPOSAL.....                                  | 4 |

\* Firma ERKO sp.j. zastrzega sobie prawo do wprowadzania zmian konstrukcyjnych wynikających z modernizacji wyrobów.

\* ERKO has the right to introduce construction modifications due to equipment modernization.

\* Фирма ERKO sp.j. оставляет за собой право для введения конструкционных изменений вытекающих из модернизации изделий.



AЮ 89

- 1 -



007



**Before using this equipment, please read the user and the safety manuals.**

## 1. APPLICATION

It is designed for clamping REKIN® (RM1, RM2) type adapters placed on enamelled and non-insulated winding pipes. It is equipped with type SRM1 dies and type ZT quick coupler.

## 2. TECHNICAL DATA

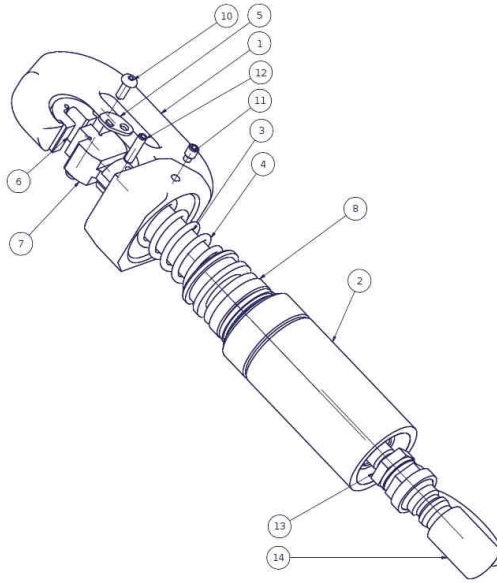
|                       |         |
|-----------------------|---------|
| Weight (without dies) | 1,5 kg  |
| Force                 | 28,1 kN |
| Length                | 220 mm  |
| Working pressure      | 350 bar |

## 3. INSTRUMENTATION

The GRM1 heat supports SRM1 type clamping dies – for RM1, RM2 adapters.

## 4. OPERATION

- Select an adequate adapter type for a specific pipe diameter.
- Use proper clamping dies for the selected type of adapter.
- Place the dies in the head.
- Place the adapter in the dies and fix by pre-clamping.
- Place the pipes into the adapter socket and clamp them until the maximum working pressure at the generator is attained.
- Press the “return” button on the control box.

**5. SPARE PARTS**

| No. | Quantity | Drawing number / Standard number |
|-----|----------|----------------------------------|
| 1   | 1        | GRM1-01                          |
| 2   | 1        | GRM1-02                          |
| 3   | 1        | GRM1-03                          |
| 4   | 1        | GRM1-06-A                        |
| 5   | 1        | GRM1-07                          |
| 6   | 1        | SRM1-01                          |
| 7   | 1        | SRM1-02                          |
| 8   | 1        | HUTR_GP6500320-C380              |
| 9   | 1        | HUTR_PS1400320-T46N              |
| 10  | 2        | NEZS_WKI-M4-10-10.9CZ            |
| 11  | 1        | NEZS_BI-M5-6W-CZ                 |
| 12  | 1        | NEZK_S2-4-16                     |
| 13  | 1        | ZT-00                            |
| 14  | 1        | ZT_Oslona                        |

## 6. MAINTENANCE AND OPERATION RECOMMENDATIONS

1. The following must be done before work is started:
  - a. check the technical condition of the head,
  - b. its proper connection with the pump
  - c. and the correctness of the clamping dies
2. **When powered by a hydraulic generator, it is forbidden to switch it on during any maintenance work (assembly and disassembly, setting the machined elements).**
3. **Switch the generator on only after making sure that the preparation has been finished and there is no danger of body harm.**
4. Do not pull out the clamp pusher with no clamping dies in the head.
5. Use adequate clamping dies for a given type of terminals and cord diameter.
6. Clamp the terminals until the pump overflow valve activation.
7. Protect the equipment against the influence of atmospheric factors, corrosion, debris and mechanical damage. Store in a condition protected against any outside factors.
8. The quick coupler should be kept clean to prevent debris from entering the circulation and damaging the pump and other equipment, or the quick couplers leaks.
9. The work should be done in appropriate protective clothing, with individual protective devices.
10. When doing the work, do not put any items into the working space, other than those for which the tool is intended.
11. The tightness of the jaw inserts and the cylinder should be checked periodically.
12. Exercise caution while working.
13. After the work has been completed, make sure that the oil has been drained from the system. The machine must not be left under load.
14. The machine must not be used when defective or suspected to be defective, until the defect has been removed.

## 7. SERVICING

ERKO provides full service both during and after the guarantee period.

## 8. DISPOSAL

After the end of the exploitation period, utilize or recycle the particular elements of this equipment according to the environment protection regulations in force.